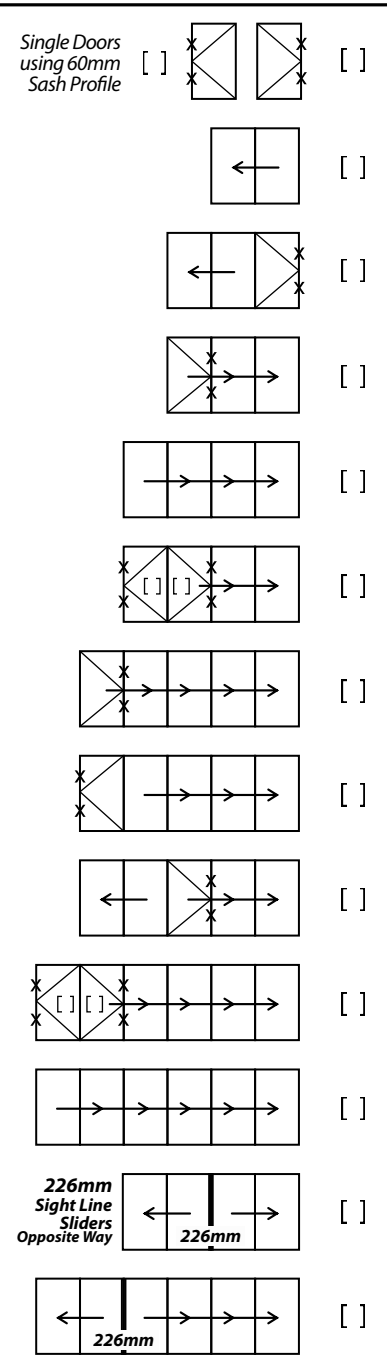


Customer Post Code
 Address
 Contact
 Tel No Quote Date
 Email/Fax Job Reference

Goods £
 VAT £
 Total £
 Order Date / /
 Order Req / /

Glass Supplied By
 Affordable
 Unglazed
(If unglazed customer must supply specification)
Glass
 Warm Edge Thermobar
 Planitherm Total + Argon

PRODUCTION CODE:
Standard Single Colour: White SA600E Gloss Black 9005 Matt Grey 7016 Matt
Single RAL Colour:
Dual RAL Colour: IN OUT
DELIVERY CODE:
Handles
 Chrome
 White
 Silver
 Black
Overall sizes to include cills and add-ons (transom, mullion and midrail sizes are excluding cills and add-ons)



All diagrams are OUTSIDE VIEW ONLY

All windows are compliant with Building Regulation Part L for Energy Efficiency & have High Security Locking with black Hinges, Rollers, and Gaskets

Item **Qty.**
Location
Width
Height
Midrail Height
Cill None
 85mm
 150mm
 190mm
 225mm
Drainage None
 Face
Add-on (20 or 42mm)
 Left
 Right
 Top
 Bottom
Windloading (Postcode)
Altitude
Distance to Sea
 0 - 6.5 Miles
 6.5 - 32 Miles
 32 + Miles
Location
 Sheltered
 Exposed
Building Height
 0 - 3 Metres
 3 - 6 Metres
 6 - 10 Metres
 10 - 15 Metres
If the above information is not provided we cannot accept responsibility as to the suitability of our product for installation.

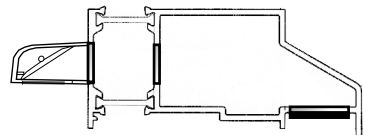
Customer Signature

(By Signing or Submitting this order online you agree to Affordable Window Systems Ltd. Terms & Conditions)

Door Stacking Open In
 Open Out

Low Threshold
Only recommended for internal use

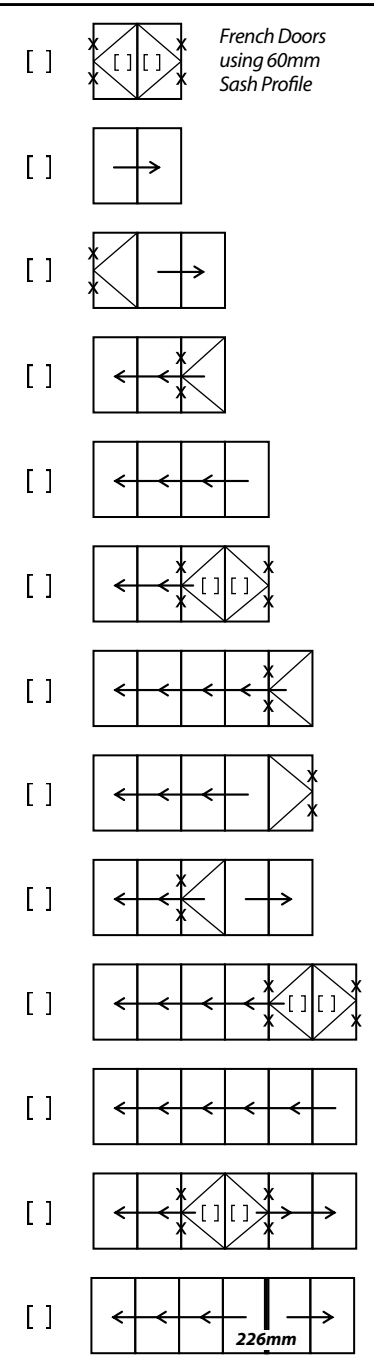
Frames Assembled as Standard Kit Form
Frames larger than 4000mm width or 2400mm in both directions will be supplied in KIT FORM

42mm Head Extension


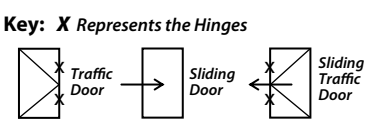
Please indicate if a trickle vent is required

Site Delivery
 Address:

Salesperson



Sightlines:
 132mm - Sliders One Way
 143mm - Traffic/Traffic
 179mm - Slider/Traffic
 226mm - Sliders Opposite Way



A traffic door has a conventional lever/lever locking handle, allowing one or two doors in the Bi-Fold door set to operate as a conventional back door.
The minimum size of a sash is 750mm and the maximum is 1000mm.
The position of a Master Door needs to be indicated on the diagram above.

IMPORTANT INFORMATION / DELIVERY DATES

Delivery lead times are from the date we receive a signed off order. It may be possible to make amendments thereafter but this will usually result in an extended lead time and may also affect the price.

Aluminium is not like PVCu because stock is not generally held by the fabricator. This, combined with powder coating lead times means manufacturing lead times are longer. If faulty materials are delivered to us or materials are not available from our suppliers, this can delay delivery to the trade customer and we advise that your customer is made aware of this possibility at the outset. Should we become aware of any potential delay in the supply of your order, we will advise you in writing at the earliest opportunity.

On this basis, the delivery lead times quoted are estimated and should not be deemed definite. We advise you not to schedule any installation until you have received and checked the goods. At the very least, please telephone us to check that your order is ready *before* arranging to install. We are not liable for any costs or penalties incurred arising from any delay to the anticipated delivery date

We would respectfully advise that as this is a supply only contract it is your responsibility to ensure that all sizes, specifications and products are correct and suitable for the situation in which they will be used.

The end user should be made aware of cleaning and maintenance requirements. In areas within the direct influence zones of salt water, industrial chemical plants, blast furnaces or other aggressive emission sources, the window should be cleaned at least every three months. In a relatively cleaner environment every six months should be sufficient. For full details please refer to the cleaning and maintenance manual available for download at www.smartsystems.co.uk

All orders are subject to our terms and conditions of sale which are available on our website.

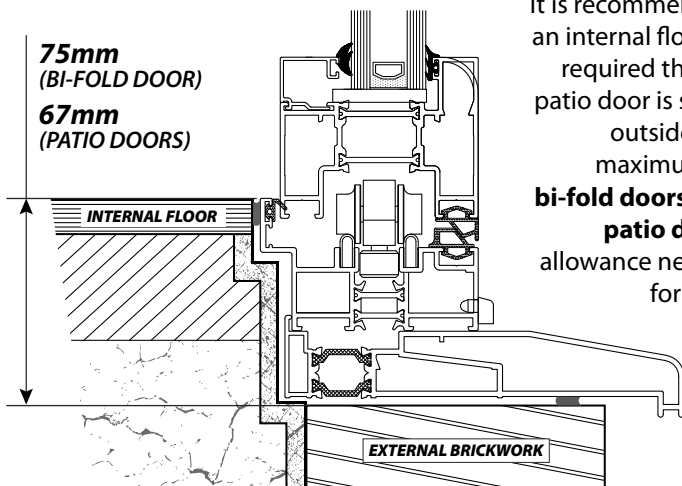
Please sign, date and return this page with your signed off order.

Customer _____ Job Ref. _____

Signed _____ Date _____

LOW THRESHOLD INFORMATION

A low threshold can be specified for bi-fold doors but is only recommended for internal use. Where it is used in an external situation no warranties are given for draught-proofing or weather performance.



It is recommended that when an internal floor flush finish is required that the bi-fold or patio door is set lower on the outside brickwork to a maximum of **75mm for bi-fold doors** and **67mm for patio doors**. Note that allowance needs to be made for floor coverings.

KIT FORM OR FULLY ASSEMBLED

BI-FOLD DOORS

If size exceeds **4000mm** in any direction, or **2400mm** in both directions, then it can only be delivered in **KIT FORM**

Reasons:

Vehicle size restrictions, Weight, Size - larger bifolds are prone to twisting on loading, unloading and any movement thereafter

PATIO DOORS

Any patio that is **3 Panels or over 2400mm** can only be delivered in **KIT FORM**

Reasons:

Weight - Patios weigh more than Bi-folds, Size - larger patios are prone to being twisted on loading, unloading and any movement thereafter. This can result in sashes rubbing against the outer frame and damaging a powder coating.