



TIMBERLOOK

SLIM-SASH PVC-u BI-FOLD DOORS

Most PVCu Bi-Folding Doors are made from bulky door profile & include unsightly face-fixed hinges.

Timberlook Slimline Bi-Fold Doors are different.

We combine high-strength PVCu & Aluminium profiles to achieve the sight lines of aluminium bi-folds with the cost-effectiveness of PVCu.



Timberlook Slimline Bi-Folding Doors **are available in a wide range of woodgrain foil colours that look just as effective as traditional solid timber-framed windows**



Standard White PVCu profile plus Light Oak & Rosewood Woodgrain also available

Main Timberlook Features

- Replicate timber sections with an ovolo profile.
- Have high-security hardened steel hook locks that prevent the hinge being forced from the door.
- Have high performance double seals to every door and thermally efficient double glazing with a u value of 1.6.
- Are available with our exclusive concealed night ventilation.
- Include encapsulated stainless steel rollers built into the top & bottom tracks to prevent the doors from being lifted out the track.
- Sightline between glass is 130mm, which is the same as the Smarts 1000 aluminium bi fold.
- Compliment our range of Timberlook casement windows which can be used to design matching conservatories.

Timberlook Bi-Folds are available in the following colours on both sides: Rosewood, Light Oak, Irish Oak, Black, Grey, Polar White, Chartwell Green, Fir Green and Cream Foils.

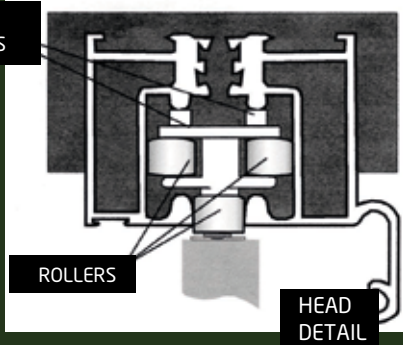
All the above are available with flat white on the inside.

MATCHING PROFILE & COLOURS ARE AVAILABLE FOR CONSERVATORIES & WINDOWS

Colours are only as close as the printing process allows - The manufacturer reserves the right to change product & specification as technical developments dictate without notice

ALUMINIUM HEADER AND THRESHER RAILS

GUIDE
ROLLERS



The Head & Thresher are aluminium and do not have a PVC-u frame and as such are more robust

The Aluminium Head & Thresher encapsulate the running gear so that the door cannot be lifted from the track.



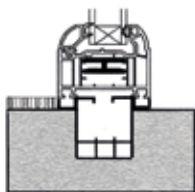
Maximum sash width is 750mm.

Maximum width of Bi-Fold Doors as follows:

2 Door	3 Door	4 Door	5 Door	6 Door
Not Available	2491 mm	3188 mm	4012 mm	4712 mm

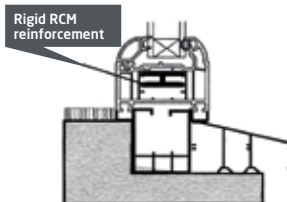
- The Timberlook Bi-Fold aluminium thresher is **51mm high**.
- The Threshold can be fitted flush to the inside and outside floor and is also available with an external clip-on aluminium cill that does not increase the threshold height of 51mm.
- The rollers are concealed and are resistant to attack from potential intruders.
- Hardened steel hook locks, dead bolts and top/bottom shootbolts are specified for high security and flat handles minimize stacking space when opened.
- The wheels, which are stainless steel, operate quietly and smoothly and have sealed bearings for maintenance free use.
- There are 4 expansion seals between each door.

OPTION 1



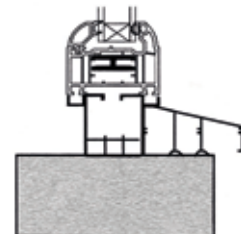
It is possible to recess the track 45mm into the floor.

OPTION 2



By lowering the external brickwork - the track can be installed flush with the internal floor.

OPTION 3

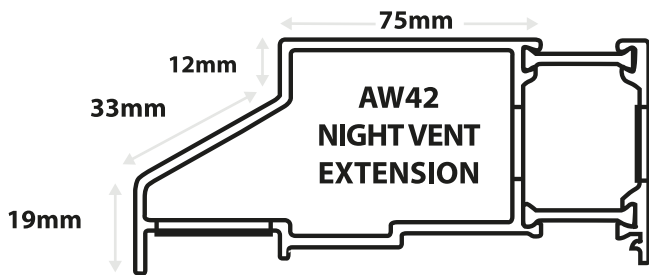


Fitted in the conventional way the upstand is only **51mm** while conventional PVC-u Bi-Folding doors have an upstand between **100mm and 140mm**.

THRESHER AND SIGHTLINE DETAILS

Timberlook bi-folds feature our exclusive concealed night vent hood extension.

AW42 - Night Vent Head Extension 42mm



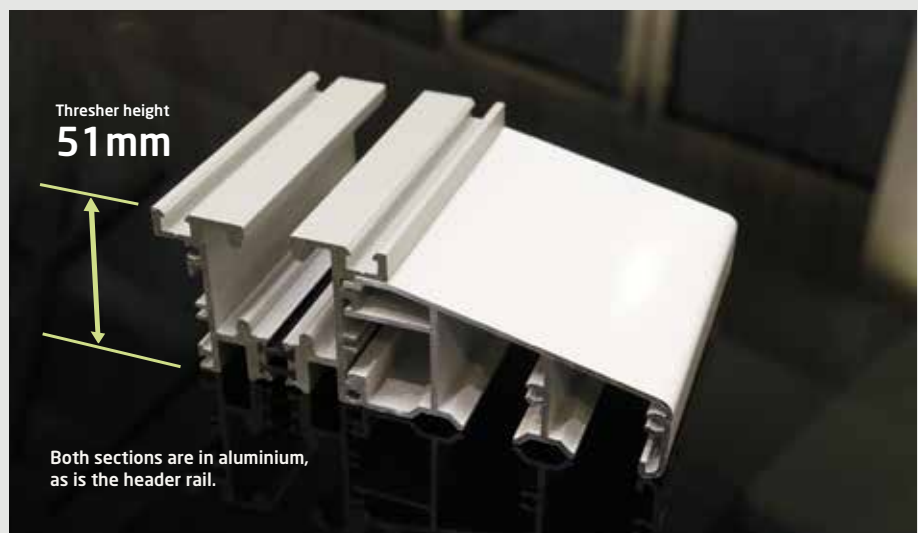
Encapsulated Steel Rollers & Concealed Hinge Fixing.



Sightline 130mm



New Slave Handles



Thresher height
51mm

Both sections are in aluminium,
as is the header rail.

Cill section clips in to the threshold keeping the overall thresher height at 51mm